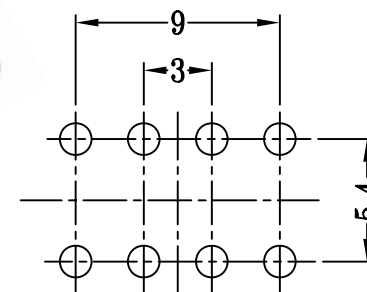
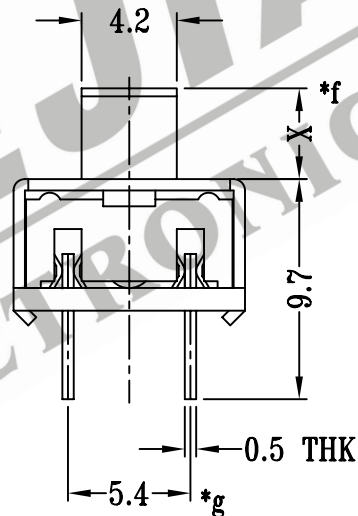
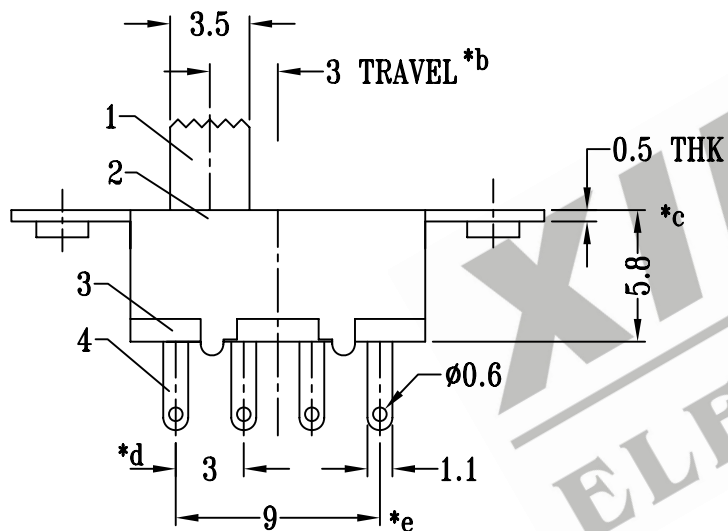
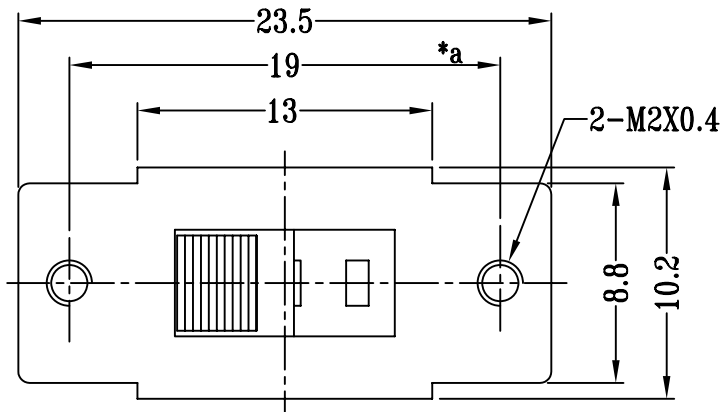


CAD FILE:



P.C.B LAYOUT

SCHEMATIC (NON-SHORTING)

注:带"*"表示关键尺寸(7个)

8					TOLERANCE UNLESS SPECIFIED	SHENZHEN XIEJIA ELECTRONICS CO.,LTD.				
7	STEEL BALL	STEEL	1	NATURAL	WITHIN: 1.5±0.1mm OVER: 1.5±0.2mm	ISSUE	DATE	DESCRIPTIONS OF REVISION		APPD.
6	SPRING	STEEL WIRE	1	TEMPER				TITLE : VERTICAL SLIDE SWITCH		
5	CONTACT CLIP	PBS STRIP	2	Ag PLATED	MODEL: SS-23F35	SCALE: 3:1	CHK'D	ZHOUYU	2005-6-9	
4	TERMINAL	BRASS STRIP	8	Ag PLATED OVER Ni PLATED			APPD.	FANGYING	2005-6-9	
3	BASE	PHENOLIC RESIN	1	NATURAL			ALL MATERIALS MUST BE COMPLIANT TO ROHS	APPD.	KANGXINAN	2005-6-9
2	FRAME	STEEL STRIP	1	Ni PLATED						
1	KNOB	POM	1	BLACK						
NO.	PARTS	MATERIALS	Q'TY	FINISH						